

RAKE (SCULPTURED)

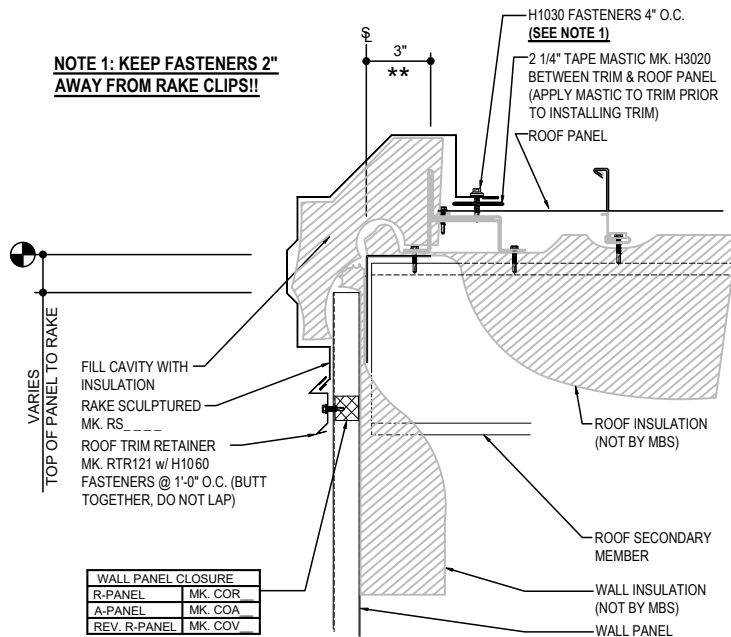
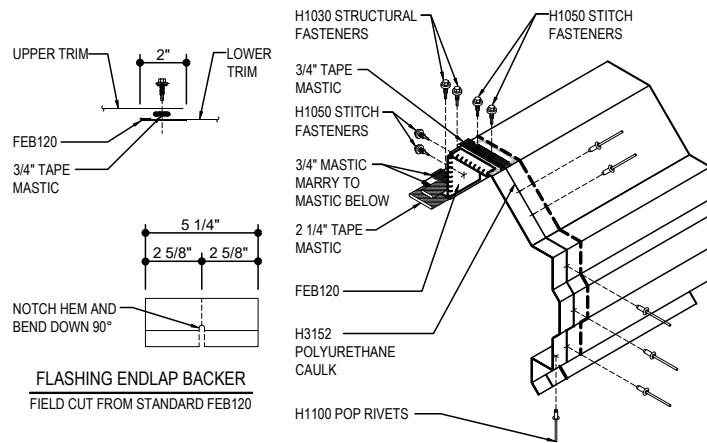
- EE3010 - SCULPTURED RAKE - WALL PANEL
 - EE3040 - SCULPTURED RAKE - MASONRY WALL
 - EE3050 - SCULPTURED RAKE - NO WALL PANEL
 - EE3060 - SCULPTURED RAKE - PARTIAL WALL PANEL
 - EE3070 - SCULPTURED RAKE - NO WALL PANEL - JOIST
 - EE3080 - SCULPTURED RAKE - PARTIAL WALL PANEL - JOIST
 - EE3610 - SCULPTURED RAKE - INSULATED WALL PANEL
 - EE3900 - SCULPTURED RAKE TO RAKE PARAPET TRANSITION
-

EE3010 - SCULPTURED RAKE w/ WALL PANEL

[Download the DWG file by clicking here.](#)

RAKE LAP & FLASHING BACKER

SLIDE FIELD CUT SECTION OF FLASHING ENDLAP BACKER ONTO THE LOWER TRIM PIECE AS SHOWN BELOW. PLACE TAPE MASTIC NEXT TO HEM OF THE BACKER (NOT ON TOP OF HEM). APPLY CONTINUOUS BEAD OF CAULK 1" FROM END OF TRIM DOWN PROFILE OF TRIM. FASTEN LAP WITH STITCH FASTENERS AND POP RIVETS AS SHOWN. ROOF STRUCTURAL FASTENERS SHOULD BE USED TO FASTEN THROUGH PANEL FLAT INTO RAKE ANGLE.



RAKE SCULPTURED DETAIL

RAKE SCULPTURED DETAIL w/ WALL PANELS
SEE WALL SHEETING ERECTION NOTES FOR WALL PANEL FASTENER LOCATIONS

EE3010

Detailer Notes:

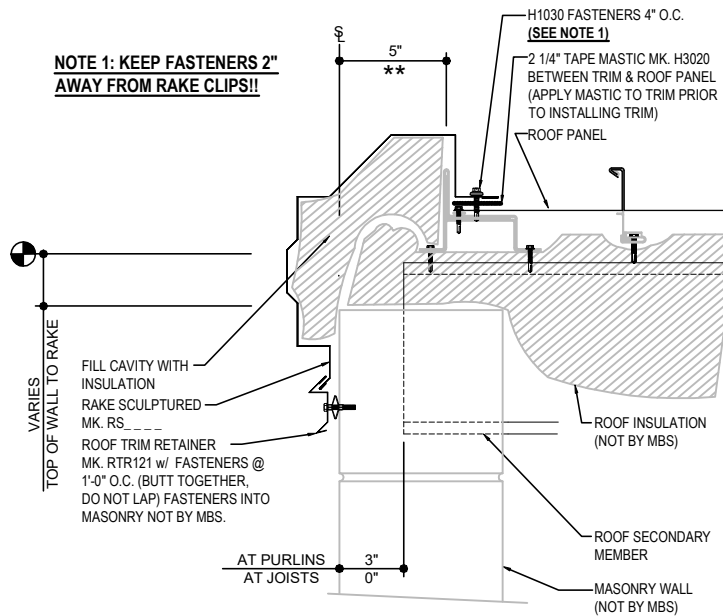
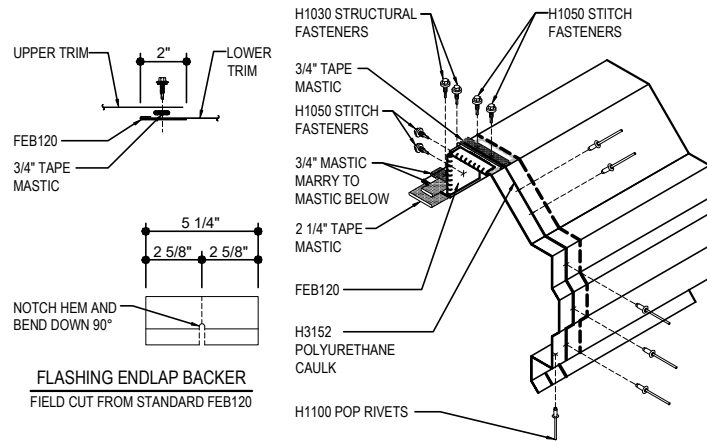
- 1) CLOSURES RAKE LAYER DEFAULT IS ON. LAYER MUST BE TURNED OFF IF CLOSURES ARE NOT REQUIRED.

EE3040 - SCULPTURED RAKE w/ MASONRY WALL

[Download the DWG file by clicking here.](#)

RAKE LAP & FLASHING BACKER

SLIDE FIELD CUT SECTION OF FLASHING ENDLAP BACKER ONTO THE LOWER TRIM PIECE AS SHOWN BELOW. PLACE TAPE MASTIC NEXT TO HEM OF THE BACKER (NOT ON TOP OF HEM). APPLY CONTINUOUS BEAD OF CAULK 1" FROM END OF TRIM DOWN PROFILE OF TRIM. FASTEN LAP WITH STITCH FASTENERS AND POP RIVETS AS SHOWN. ROOF STRUCTURAL FASTENERS SHOULD BE USED TO FASTEN THROUGH PANEL FLAT INTO RAKE ANGLE.



RAKE SCULPTURED DETAIL

RAKE SCULPTURED DETAIL w/ MASONRY WALL

EE3040

Detailer Notes:

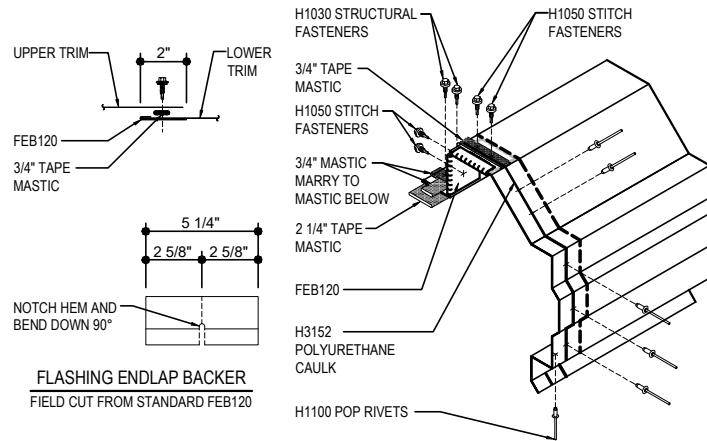
- 1) N/A

EE3050 - SCULPTURED RAKE w/ NO WALL PANEL

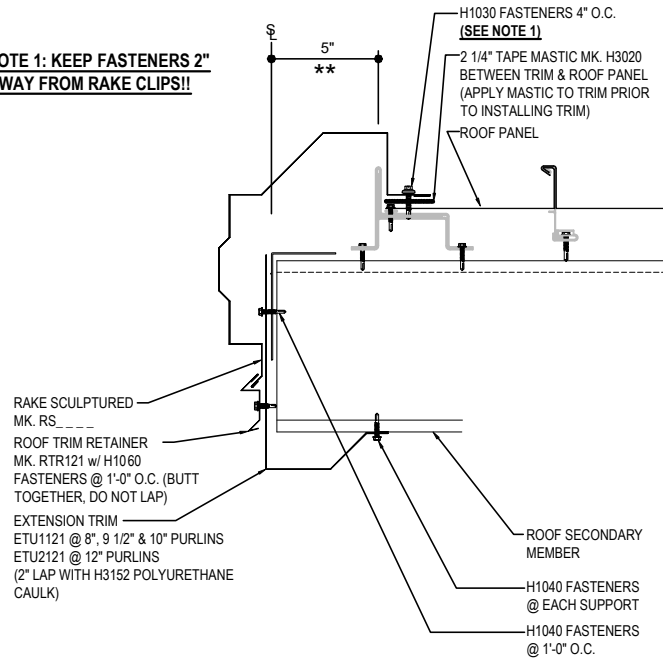
[Download the DWG file by clicking here.](#)

RAKE LAP & FLASHING BACKER

SLIDE FIELD CUT SECTION OF FLASHING ENDLAP BACKER ONTO THE LOWER TRIM PIECE AS SHOWN BELOW. PLACE TAPE MASTIC NEXT TO HEM OF THE BACKER (NOT ON TOP OF HEM). APPLY CONTINUOUS BEAD OF CAULK 1" FROM END OF TRIM DOWN PROFILE OF TRIM. FASTEN LAP WITH STITCH FASTENERS AND POP RIVETS AS SHOWN. ROOF STRUCTURAL FASTENERS SHOULD BE USED TO FASTEN THROUGH PANEL FLAT INTO RAKE ANGLE.



NOTE 1: KEEP FASTENERS 2" AWAY FROM RAKE CLIPS!!



RAKE SCULPTURED DETAIL

RAKE SCULPTURED DETAIL w/ NO WALL PANEL

EE3050

Detailer Notes:

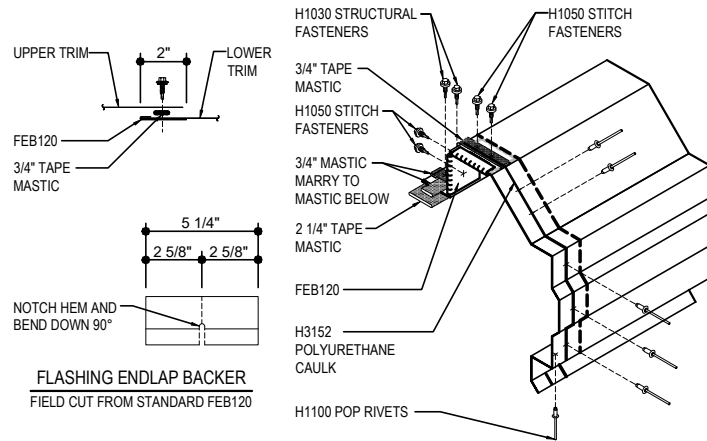
1) N/A

EE3060 - SCULPTURED RAKE w/ PARTIAL WALL PANEL

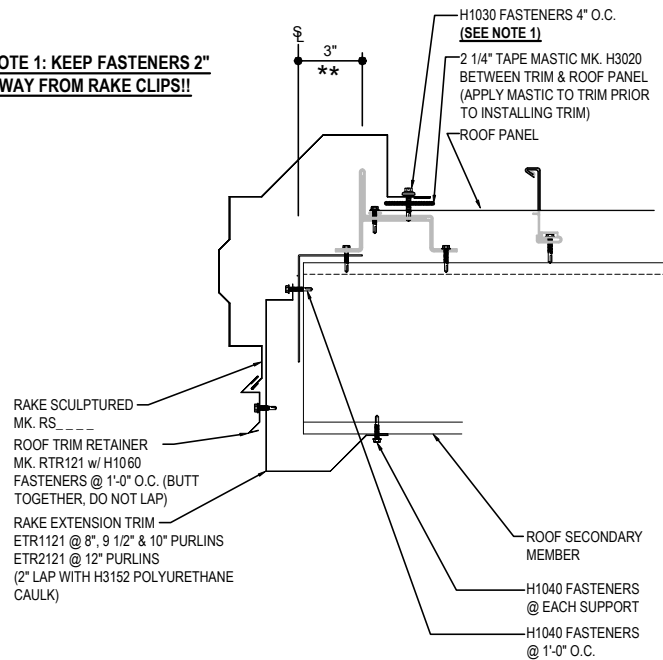
[Download the DWG file by clicking here.](#)

RAKE LAP & FLASHING BACKER

SLIDE FIELD CUT SECTION OF FLASHING ENDLAP BACKER ONTO THE LOWER TRIM PIECE AS SHOWN BELOW. PLACE TAPE MASTIC NEXT TO HEM OF THE BACKER (NOT ON TOP OF HEM). APPLY CONTINUOUS BEAD OF CAULK 1" FROM END OF TRIM DOWN PROFILE OF TRIM. FASTEN LAP WITH STITCH FASTENERS AND POP RIVETS AS SHOWN. ROOF STRUCTURAL FASTENERS SHOULD BE USED TO FASTEN THROUGH PANEL FLAT INTO RAKE ANGLE.



NOTE 1: KEEP FASTENERS 2" AWAY FROM RAKE CLIPS!!



RAKE SCULPTURED DETAIL

RAKE SCULPTURED DETAIL w/ PARTIALLY SHEETED WALL

EE3060

Detailer Notes:

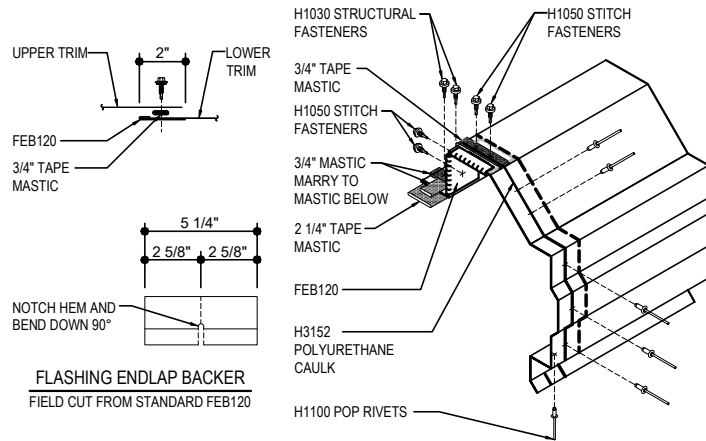
1) N/A

EE3070 - SCULPTURED RAKE w/ NO WALL PANEL - JOIST

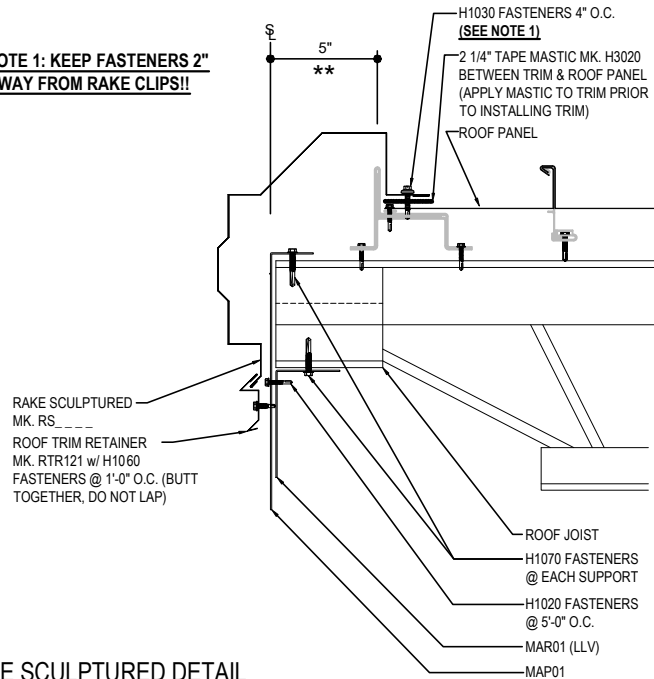
[Download the DWG file by clicking here.](#)

RAKE LAP & FLASHING BACKER

SLIDE FIELD CUT SECTION OF FLASHING ENDLAP BACKER ONTO THE LOWER TRIM PIECE AS SHOWN BELOW. PLACE TAPE MASTIC NEXT TO HEM OF THE BACKER (NOT ON TOP OF HEM). APPLY CONTINUOUS BEAD OF CAULK 1" FROM END OF TRIM DOWN PROFILE OF TRIM. FASTEN LAP WITH STITCH FASTENERS AND POP RIVETS AS SHOWN. ROOF STRUCTURAL FASTENERS SHOULD BE USED TO FASTEN THROUGH PANEL FLAT INTO RAKE ANGLE.



NOTE 1: KEEP FASTENERS 2" AWAY FROM RAKE CLIPS!!



RAKE SCULPTURED DETAIL
RAKE SCULPTURED DETAIL w/ NO WALL PANEL

EE3070

Detailer Notes:

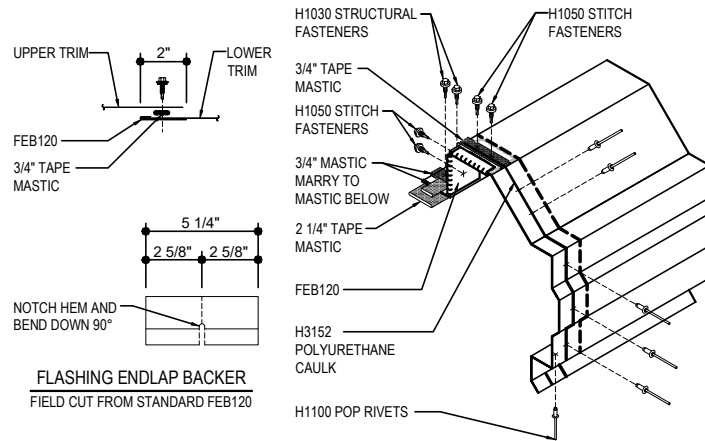
- 1) N/A

EE3080 - SCULPTURED RAKE w/ PARTIAL WALL PANEL - JOIST

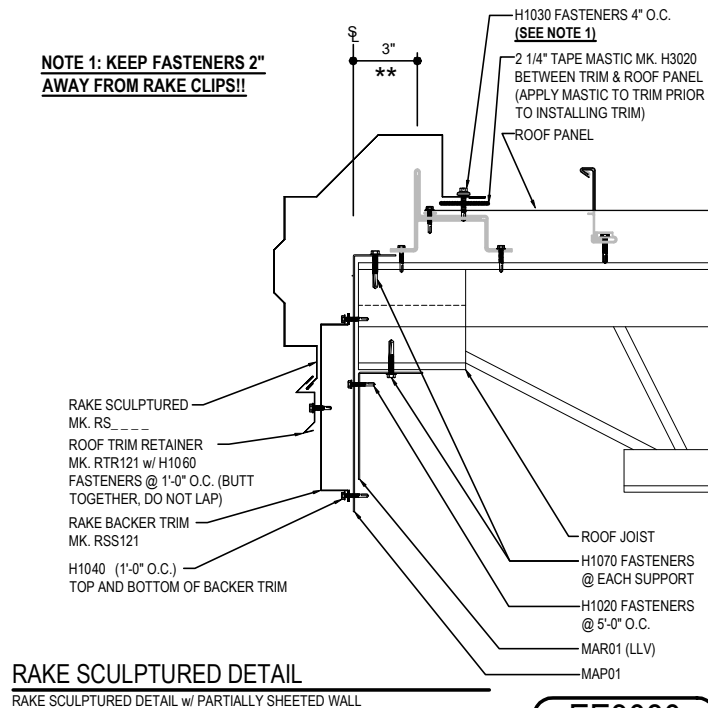
[Download the DWG file by clicking here.](#)

RAKE LAP & FLASHING BACKER

SLIDE FIELD CUT SECTION OF FLASHING ENDLAP BACKER ONTO THE LOWER TRIM PIECE AS SHOWN BELOW. PLACE TAPE MASTIC NEXT TO HEM OF THE BACKER (NOT ON TOP OF HEM). APPLY CONTINUOUS BEAD OF CAULK 1" FROM END OF TRIM DOWN PROFILE OF TRIM. FASTEN LAP WITH STITCH FASTENERS AND POP RIVETS AS SHOWN. ROOF STRUCTURAL FASTENERS SHOULD BE USED TO FASTEN THROUGH PANEL FLAT INTO RAKE ANGLE.



NOTE 1: KEEP FASTENERS 2" AWAY FROM RAKE CLIPS!!



EE3080

Detailer Notes:

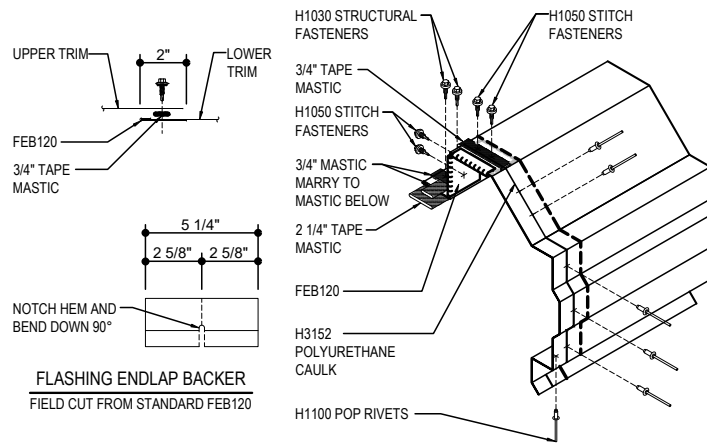
- 1) N/A

EE3610 - SCULPTURED RAKE w/ INSULATED WALL PANEL

[Download the DWG file by clicking here.](#)

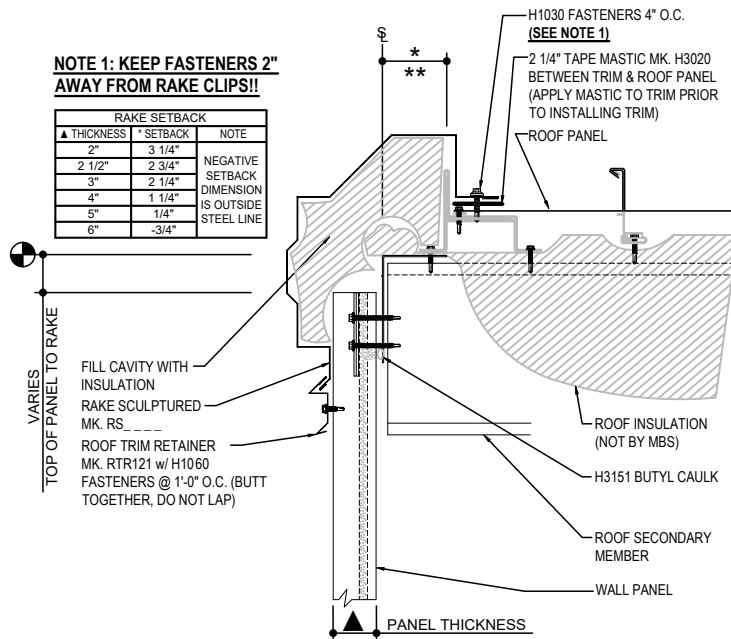
RAKE LAP & FLASHING BACKER

SLIDE FIELD CUT SECTION OF FLASHING ENDLAP BACKER ONTO THE LOWER TRIM PIECE AS SHOWN BELOW. PLACE TAPE MASTIC NEXT TO HEM OF THE BACKER (NOT ON TOP OF HEM). APPLY CONTINUOUS BEAD OF CAULK 1" FROM END OF TRIM DOWN PROFILE OF TRIM. FASTEN LAP WITH STITCH FASTENERS AND POP RIVETS AS SHOWN. ROOF STRUCTURAL FASTENERS SHOULD BE USED TO FASTEN THROUGH PANEL FLAT INTO RAKE ANGLE.



NOTE 1: KEEP FASTENERS 2" AWAY FROM RAKE CLIPS!!

RAKE SETBACK		
▲ THICKNESS	* SETBACK	NOTE
2"	3 1/4"	
2 1/2"	2 3/4"	NEGATIVE SETBACK DIMENSION IS OUTSIDE STEEL LINE
3"	2 1/4"	
4"	1 1/4"	
5"	1/4"	
6"	-3/4"	



RAKE SCULPTURED DETAIL

RAKE SCULPTURED DETAIL w/ WALL PANELS
SEE WALL SHEETING ERECTION NOTES FOR WALL PANEL FASTENER LOCATIONS

EE3610

Detailer Notes:

- 1) N/A

